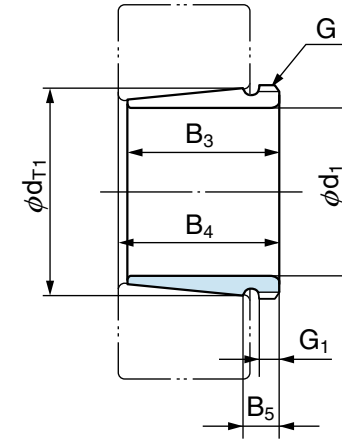


Withdrawal Sleeves

Series AH22/AH32/AHX32

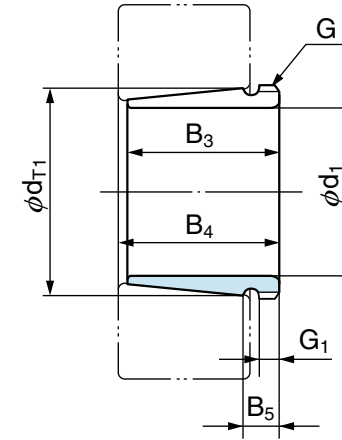


Bearing bore No.	Thread Nominal G	Dimensions (mm)						Mass (kg) (reference)	Withdrawal Sleeve No.	Locknut No.
		d_1	B_3	B_4	d_{T1}	B_5	G_1 (reference)			
36	M 200 × 3	170	105	110	187.50	20	17	3.70	AH 2236	AN 40
38	Tr 210 × 4	180	112	117	197.75	24	18	4.30	AH 2238	HN 42
40	Tr 220 × 4	190	118	123	208.17	25	19	4.70	AH 2240	HN 44
44	Tr 240 × 4	200	130	136	229.17	26	20	9.20	AH 2244	HN 48
48	Tr 260 × 4	220	144	150	250.25	27	21	11.1	AH 2248	HN 52
52	Tr 290 × 4	240	155	161	271.00	29	23	14.0	AH 2252	HN 58
56	Tr 310 × 5	260	155	163	291.08	30	24	15.2	AH 2256	HN 62
60	Tr 330 × 5	280	170	178	312.17	32	26	18.1	AH 2260	HN 66
64	Tr 350 × 5	300	180	190	333.08	33	27	20.2	AH 2264	HN 70



Withdrawal Sleeves

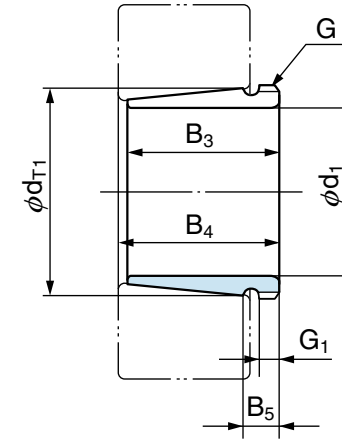
Series AH22/AH32/AHX32



Bearing bore No.	Thread Nominal G	Dimensions (mm)						Mass (kg) (reference)	Withdrawal Sleeve No.	Locknut No.
		d_1	B_3	B_4	d_{T1}	B_5	G_1 (reference)			
18	M 100 × 2	85	63	67	94.50	13	10	0.576	AHX 3218	AN 20
19	M 105 × 2	90	67	71	99.75	14	11	0.680	AH 3219	AN 21
20	M 110 × 2	95	73	77	105.25	14	11	0.767	AHX 3220	AN 22
21	M 115 × 2	100	78	82	110.67	14	11	0.890	AH 3221	AN 23
22	M 125 × 2	105	82	86	116.00	14	11	1.04	AHX 3222	AN 25
24	M 135 × 2	115	90	94	126.50	16	13	1.30	AHX 3224	AN 27
26	M 145 × 2	125	98	102	137.00	18	15	1.60	AHX 3226	AN 29
28	M 155 × 3	135	104	109	147.58	18	15	1.90	AHX 3228	AN 31
30	M 165 × 3	145	114	119	158.25	20	17	2.30	AHX 3230	AN 33
32	M 180 × 3	150	124	130	168.92	23	20	4.09	AH 3232	AN 36
34	M 190 × 3	160	134	140	179.42	27	24	4.81	AH 3234	AN 38
36	M 200 × 3	170	140	146	189.92	27	24	5.31	AH 3236	AN 40
38	Tr 210 × 4	180	145	152	200.08	31	25	5.90	AH 3238	AN 42
40	Tr 220 × 4	190	153	160	210.75	31	25	6.67	AH 3240	AN 44

Withdrawal Sleeves

Series AH22/AH32/AHX32



Bearing bore No.	Thread Nominal G	Dimensions (mm)						Mass (kg) (reference)	Withdrawal Sleeve No.	Locknut No.
		d_1	B_3	B_4	d_{T1}	B_5	G_1 (reference)			
60	Tr 330 × 5	280	228	236	316.33	40	34	26.0	AH 3260	HN 66
64	Tr 350 × 5	300	246	254	337.67	42	36	30.6	AH 3264	HN 70
68	Tr 370 × 5	320	264	273	359.08	44	38	35.8	AH 3268	HN 74
72	Tr 400 × 5	340	274	283	379.75	46	40	41.6	AH 3272	HN 80
76	Tr 420 × 5	360	284	294	400.50	48	42	46.3	AH 3276	HN 84
80	Tr 440 × 5	380	302	312	421.83	50	44	52.5	AH 3280	HN 88
84	Tr 460 × 5	400	321	331	443.25	52	46	59.4	AH 3284	HN 92
88	Tr 480 × 5	420	330	341	463.92	54	48	64.7	AHX 3288	HN 96
92	Tr 510 × 6	440	349	360	485.33	56	50	75.6	AHX 3292	HN102
96	Tr 530 × 6	460	364	376	506.50	58	52	83.6	AHX 3296	HN106
/500	Tr 550 × 6	480	393	405	528.75	60	54	94.7	AHX 32/500	HN110