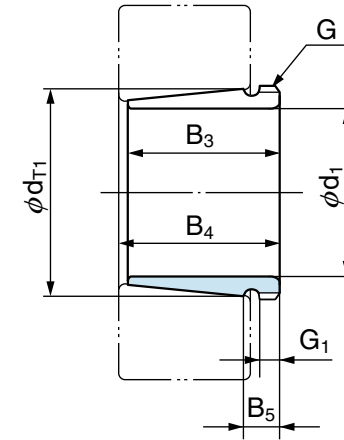


Withdrawal Sleeves

Series AH3/AHX3

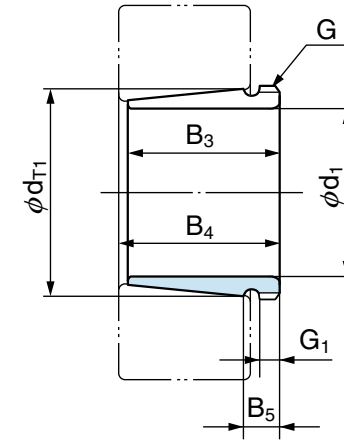


Bearing bore No.	Thread Nominal G	Dimensions (mm)							Mass (kg) (reference)	Withdrawal Sleeve No.	Locknut No.
		d_1	B_3	B_4	d_{T1}	B_5	G_1 (reference)				
08	M 45 × 1.5	35	29	32	41.92	9	6	0.096	AH 308	AN 09	
09	M 50 × 1.5	40	31	34	47.08	9	6	0.109	AH 309	AN 10	
10	M 55 × 2	45	35	38	52.33	10	7	0.137	AHX 310	AN 11	
11	M 60 × 2	50	37	40	57.38	11.5	7	0.161	AHX 311	AN 12	
12	M 65 × 2	55	40	43	62.38	14.5	8	0.189	AHX 312	AN 13	
13	M 75 × 2	60	42	45	67.83	11	8	0.253	AH 313	AN 15	
14	M 80 × 2	65	43	47	73.00	11	8	0.280	AH 314	AN 16	
15	M 85 × 2	70	45	49	78.17	11	8	0.313	AH 315	AN 17	
16	M 90 × 2	75	48	52	83.42	11	8	0.365	AH 316	AN 18	
17	M 95 × 2	80	52	56	88.67	12	9	0.429	AHX 317	AN 19	
18	M 100 × 2	85	53	57	93.75	12	9	0.461	AHX 318	AN 20	
19	M 105 × 2	90	57	61	99.00	13	10	0.532	AHX 319	AN 21	



Withdrawal Sleeves

Series AH3/AHX3



Bearing bore No.	Thread Nominal G	Dimensions (mm)						Mass (kg) (reference)	Withdrawal Sleeve No.	Locknut No.
		d_1	B_3	B_4	d_{T1}	B_5	G_1 (reference)			
20	M 110 × 2	95	59	63	104.17	13	10	0.582	AHX 320	AN 22
21	M 115 × 2	100	62	66	109.25	15	12	0.600	AHX 321	AN 23
22	M 120 × 2	105	63	67	114.33	15	12	0.663	AHX 322	AN 24
24	M 130 × 2	115	69	73	124.75	16	13	0.875	AHX 324	AN 26
26	M 140 × 2	125	74	78	135.08	17	14	1.03	AHX 326	AN 28
28	M 150 × 2	135	77	82	145.42	17	14	1.15	AHX 328	AN 30
30	M 165 × 3	145	83	88	155.83	18	15	1.55	AHX 330	AN 33
32	M 180 × 3	150	88	93	166.17	19	16	2.73	AH 332	AN 36
34	M 190 × 3	160	93	98	176.50	20	17	3.19	AH 334	AN 38