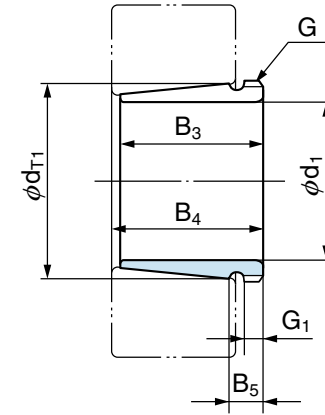


Withdrawal Sleeves

Series AH23/AHX23

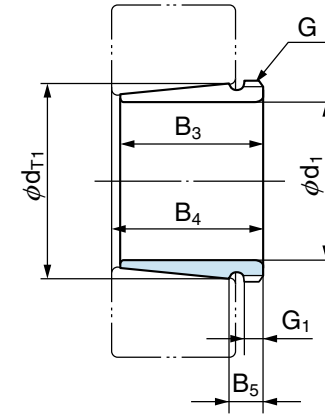


Bearing bore No.	Thread Nominal G	Dimensions (mm)							Mass (kg) (reference)	Withdrawal Sleeve No.	Locknut No.
		d_1	B_3	B_4	d_{T1}	B_5	G_1 (reference)				
08	M 45 × 1.5	35	40	43	42.75	10	7	0.128	AH 2308	AN 09	
09	M 50 × 1.5	40	44	47	48.00	11	7	0.164	AH 2309	AN 10	
10	M 55 × 2	45	50	53	53.17	15	9	0.209	AHX 2310	AN 11	
11	M 60 × 2	50	54	57	58.42	16	10	0.253	AHX 2311	AN 12	
12	M 65 × 2	55	58	61	63.63	17.5	11	0.297	AHX 2312	AN 13	
13	M 75 × 2	60	61	64	69.08	15	12	0.395	AH 2313	AN 15	
14	M 80 × 2	65	64	68	74.42	15	12	0.466	AHX 2314	AN 16	
15	M 85 × 2	70	68	72	79.75	15	12	0.534	AHX 2315	AN 17	
16	M 90 × 2	75	71	75	85.00	15	12	0.597	AHX 2316	AN 18	
17	M 95 × 2	80	74	78	90.17	16	13	0.670	AHX 2317	AN 19	
18	M 100 × 2	85	79	83	95.50	17	14	0.779	AHX 2318	AN 20	
19	M 105 × 2	90	85	89	100.83	19	16	0.886	AHX 2319	AN 21	
20	M 110 × 2	95	90	94	106.25	19	16	0.988	AHX 2320	AN 22	
21	—	—	—	—	—	—	—	—	—	—	
22	M 125 × 2	105	98	102	116.92	19	16	1.35	AHX 2322	AN 25	



Withdrawal Sleeves

Series AH23/AHX23



Bearing bore No.	Thread Nominal G	Dimensions (mm)						Mass (kg) (reference)	Withdrawal Sleeve No.	Locknut No.
		d_1	B_3	B_4	d_{T1}	B_5	G_1 (reference)			
24	M 135 × 2	115	105	109	127.42	20	17	1.60	AHX 2324	AN 27
26	M 145 × 2	125	115	119	138.08	22	19	2.00	AHX 2326	AN 29
28	M 155 × 3	135	125	130	148.92	23	20	2.33	AHX 2328	AN 31
30	M 165 × 3	145	135	140	159.42	27	24	2.82	AHX 2330	AN 33
32	M 180 × 3	150	140	146	169.92	27	24	4.70	AH 2332	AN 36
34	M 190 × 3	160	146	152	180.42	27	24	5.30	AH 2334	AN 38
36	M 200 × 3	170	154	160	190.92	29	26	5.90	AH 2336	AN 40
38	Tr 210 × 4	180	160	167	201.25	32	26	6.50	AH 2338	HN 42
40	Tr 220 × 4	190	170	177	211.75	36	30	7.50	AH 2340	HN 44
44	Tr 240 × 4	200	181	189	232.75	36	30	13.4	AH 2344	HN 48
48	Tr 260 × 4	220	189	197	253.42	36	30	15.5	AH 2348	HN 52
52	Tr 290 × 4	240	205	213	274.75	36	30	20.0	AH 2352	HN 58
56	Tr 310 × 5	260	212	220	295.33	36	30	21.5	AH 2356	HN 62