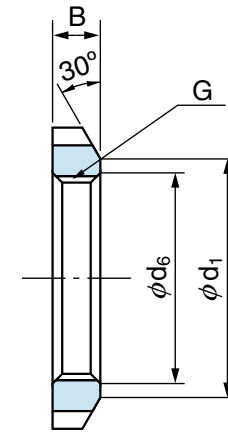
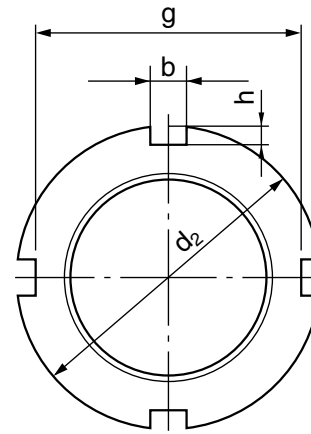


Nuts

Series HN/HNL

1/2

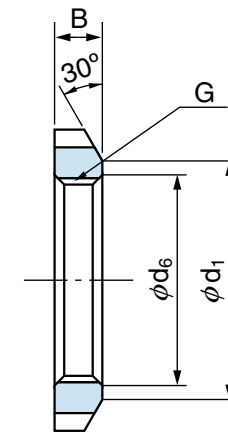
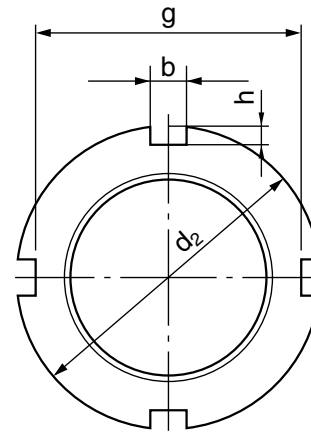


No.	Thread Nominal G	Dimensions (mm)							Mass (kg) (reference)
		d ₁	d ₂	B	b	h	g	d ₆	
HN 42	Tr 210 × 4	238	270	30	20	10	250	212	4.75
HN 44	Tr 220 × 4	250	280	32	20	10	260	222	5.35
HN 48	Tr 240 × 4	270	300	34	20	10	280	242	6.20
HN 52	Tr 260 × 4	300	330	36	24	12	306	262	8.55
HN 58	Tr 290 × 4	330	370	40	24	12	346	292	11.8
HN 62	Tr 310 × 5	350	390	42	24	12	366	312.5	13.4
HN 66	Tr 330 × 5	380	420	52	28	15	390	332.5	20.4
HN 70	Tr 350 × 5	410	450	55	28	15	420	352.5	25.2
HN 74	Tr 370 × 5	430	470	58	28	15	440	372.5	28.2
HN 80	Tr 400 × 5	470	520	62	32	18	484	402.5	40.0
HN 84	Tr 420 × 5	490	540	70	32	18	504	422.5	46.9
HN 88	Tr 440 × 5	510	560	70	36	20	520	442.5	48.5
HN 92	Tr 460 × 5	540	580	75	36	20	540	462.5	55.0
HN 96	Tr 480 × 5	560	620	75	36	20	580	482.5	67.0
HN 102	Tr 510 × 6	590	650	80	40	23	604	513	69.0
HN 106	Tr 530 × 6	610	670	80	40	23	624	533	78.0
HN 110	Tr 550 × 6	640	700	80	40	23	654	553	92.5



Nuts

Series HN/HNL



No.	Thread Nominal G	Dimensions (mm)							Mass (kg) (reference)
		d ₁	d ₂	B	b	h	g	d ₆	
HNL 41	Tr 205 × 4	232	250	30	18	8	234	207	3.43
HNL 43	Tr 215 × 4	242	260	30	20	9	242	217	3.72
HNL 47	Tr 235 × 4	262	280	34	20	9	262	237	4.60
HNL 52	Tr 260 × 4	290	310	34	20	10	290	262	5.80
HNL 56	Tr 280 × 4	310	330	38	24	10	310	282	6.72
HNL 60	Tr 300 × 4	336	360	42	24	12	336	302	9.60
HNL 64	Tr 320 × 5	356	380	42	24	12	356	322.5	10.3
HNL 69	Tr 345 × 5	384	410	45	28	13	384	347.5	11.5
HNL 73	Tr 365 × 5	404	430	48	28	13	404	367.5	14.2
HNL 77	Tr 385 × 5	422	450	48	28	14	422	387.5	15.0
HNL 82	Tr 410 × 5	452	480	52	32	14	452	412.5	19.0
HNL 86	Tr 430 × 5	472	500	52	32	14	472	432.5	19.8
HNL 90	Tr 450 × 5	490	520	60	32	15	490	452.5	23.8
HNL 94	Tr 470 × 5	510	540	60	32	15	510	472.5	25.0
HNL 98	Tr 490 × 5	550	580	60	36	15	550	492.5	34.0
HNL104	Tr 520 × 6	570	600	68	36	15	570	523	37.0
HNL108	Tr 540 × 6	590	630	68	40	20	590	543	43.5