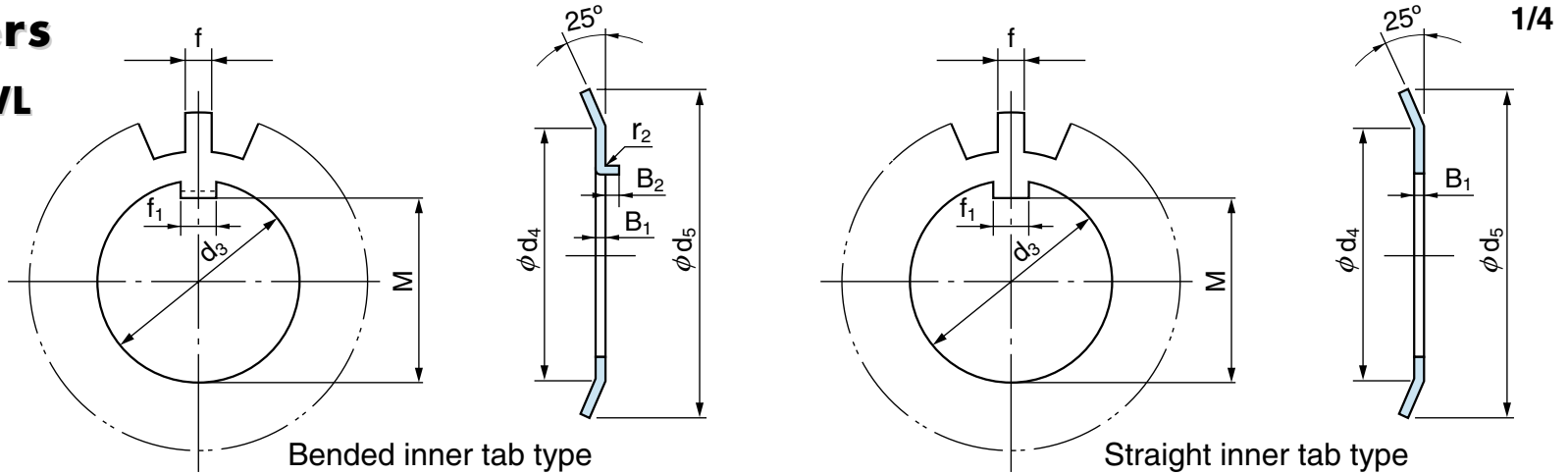


Lockwashers

Series AW/AWL



No.		Dimensions (mm)										No. of Teeth	Mass of (kg/100pcs) (reference)	Locknut No.
Bended inner tab	Straight inner tab	d ₃	d ₄	d ₅	f ₁	M	B ₁	Bended inner tab		f				
								B ₂	r ₂					
AW 02	AW 02X	15	21	28	4	13.5	1	2.5	1	4	13	0.253	AN 02	
AW 03	AW 03X	17	24	32	4	15.5	1	2.5	1	4	13	0.313	AN 03	
AW 04	AW 04X	20	26	36	4	18.5	1	2.5	1	4	13	0.350	AN 04	
AW 05	AW 05X	25	32	42	5	23	1.2	2.5	1	5	13	0.640	AN 05	
AW 06	AW 06X	30	38	49	5	27.5	1.2	2.5	1	5	13	0.780	AN 06	
AW 07	AW 07X	35	44	57	6	32.5	1.2	2.5	1	5	15	1.04	AN 07	
AW 08	AW 08X	40	50	62	6	37.5	1.2	2.5	1	6	15	1.23	AN 08	
AW 09	AW 09X	45	56	69	6	42.5	1.2	2.5	1	6	17	1.52	AN 09	
AW 10	AW 10X	50	61	74	6	47.5	1.2	2.5	1	6	17	1.60	AN 10	
AW 11	AW 11X	55	67	81	8	52.5	1.2	4	1	7	17	1.96	AN 11	
AW 12	AW 12X	60	73	86	8	57.5	1.5	4	1.2	7	17	2.53	AN 12	
AW 13	AW 13X	65	79	92	8	62.5	1.5	4	1.2	7	19	2.90	AN 13	

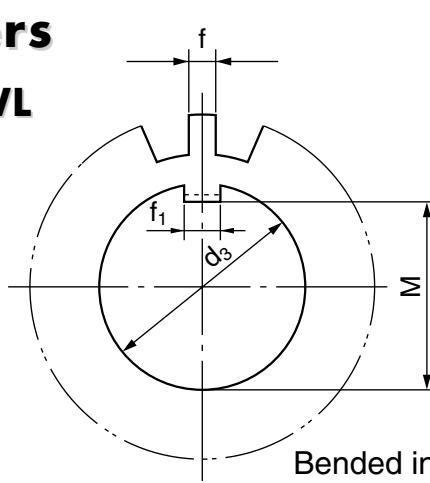
Note The straight inner tab type is used for the narrow slot type adapter ass'y (suffix X).

For the wide slot type adapter ass'y, either of lockwashers with bended inner tab or straight inner tab can be used.

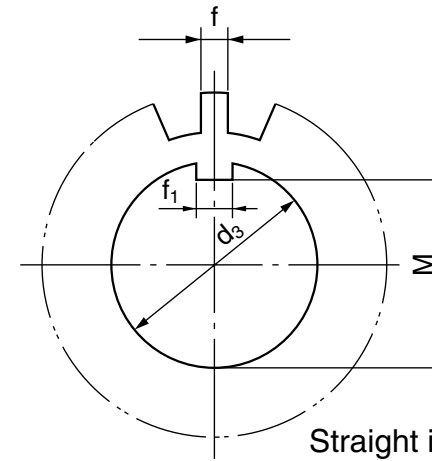
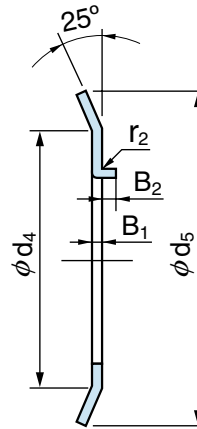


Lockwashers

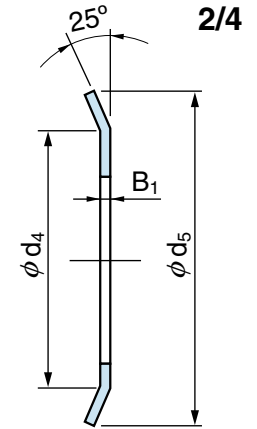
Series AW/AWL



Bended inner tab type



Straight inner tab type



2/4

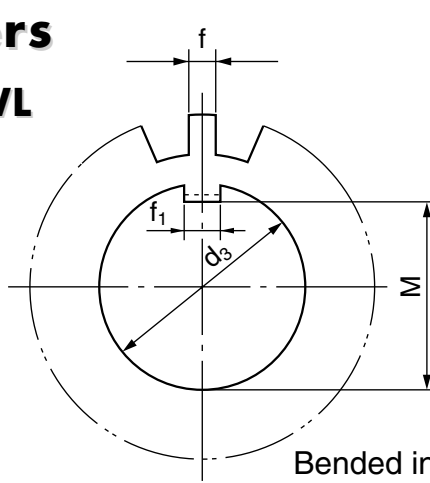
No.		Dimensions (mm)										No. of Teeth	Mass of (kg/100pcs) (reference)	Locknut No.
Bended inner tab	Straight inner tab	d ₃	d ₄	d ₅	f ₁	M	B ₁	Bended inner tab		f				
								B ₂	r ₂					
AW 14	AW 14X	70	85	98	8	66.5	1.5	4	1.2	8	19	3.34	AN 14	
AW 15	AW 15X	75	90	104	8	71.5	1.5	4	1.2	8	19	3.56	AN 15	
AW 16	AW 16X	80	95	112	10	76.5	1.8	4	1.2	8	19	4.64	AN 16	
AW 17	AW 17X	85	102	119	10	81.5	1.8	4	1.2	8	19	5.24	AN 17	
AW 18	AW 18X	90	108	126	10	86.5	1.8	4	1.2	10	19	6.23	AN 18	
AW 19	AW 19X	95	113	133	10	91.5	1.8	4	1.2	10	19	6.70	AN 19	
AW 20	AW 20X	100	120	142	12	96.5	1.8	6	1.2	10	19	7.65	AN 20	
AW 21	AW 21X	105	126	145	12	100.5	1.8	6	1.2	12	19	8.26	AN 21	
AW 22	AW 22X	110	133	154	12	105.5	1.8	6	1.2	12	19	9.40	AN 22	
AW 23	AW 23X	115	137	159	12	110.5	2	6	1.5	12	19	10.8	AN 23	
AW 24	AW 24X	120	138	164	14	115	2	6	1.5	12	19	10.5	AN 24	
AW 25	AW 25X	125	148	170	14	120	2	6	1.5	12	19	11.8	AN 25	

Note The straight inner tab type is used for the narrow slot type adapter ass'y (suffix X).

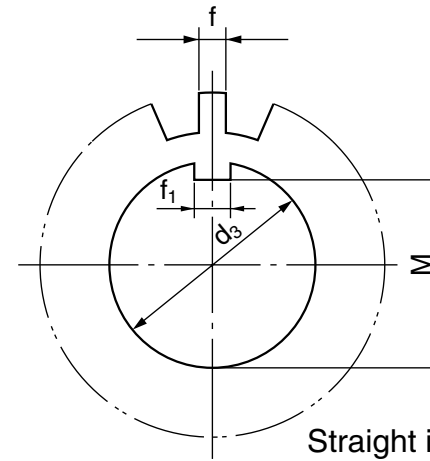
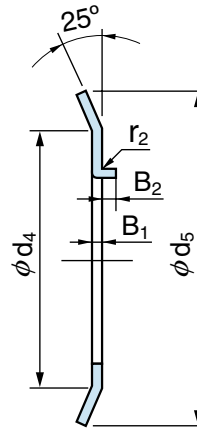
For the wide slot type adapter ass'y, either of lockwashers with bended inner tab or straight inner tab can be used.

Lockwashers

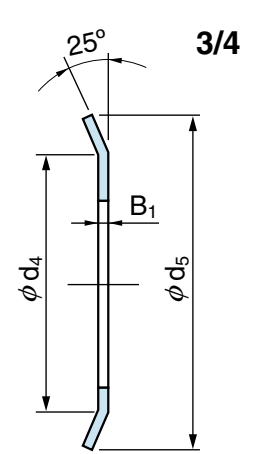
Series AW/AWL



Bended inner tab type



Straight inner tab type



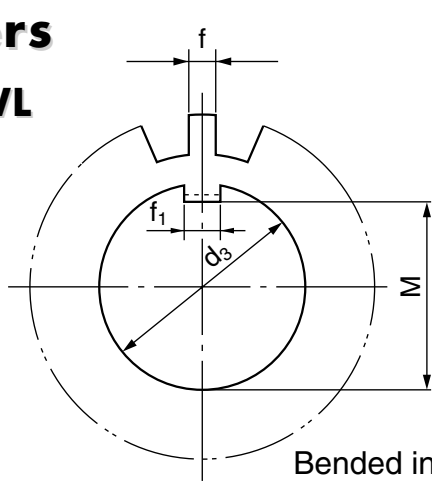
No.		Dimensions (mm)										No. of Teeth	Mass (kg/100pcs) (reference)	Locknut No.
Bended inner tab	Straight inner tab	d ₃	d ₄	d ₅	f ₁	M	B ₁	Bended inner tab		f				
								B ₂	r ₂					
AW 26	AW 26X	130	149	175	14	125	2	6	1.5	12	19	11.3	AN 26	
AW 27	AW 27X	135	160	185	14	130	2	6	1.5	14	19	14.4	AN 27	
AW 28	AW 28X	140	160	192	16	135	2	8	1.5	14	19	14.2	AN 28	
AW 29	AW 29X	145	171	202	16	140	2	8	1.5	14	19	16.8	AN 29	
AW 30	AW 30X	150	171	205	16	145	2	8	1.5	14	19	15.5	AN 30	
AW 31	AW 31X	155	182	212	16	147.5	2.5	8	1.5	16	19	20.9	AN 31	
AW 32	AW 32X	160	182	217	18	154	2.5	8	1.5	16	19	22.2	AN 32	
AW 33	AW 33X	165	193	222	18	157.5	2.5	8	1.5	16	19	24.1	AN 33	
AW 34	AW 34X	170	193	232	18	164	2.5	8	1.5	16	19	24.7	AN 34	
AW 36	AW 36X	180	203	242	20	174	2.5	8	1.5	18	19	26.8	AN 36	
AW 38	AW 38X	190	214	252	20	184	2.5	8	1.5	18	19	27.8	AN 38	
AW 40	AW 40X	200	226	262	20	194	2.5	8	1.5	18	19	29.3	AN 40	

Note The straight inner tab type is used for the narrow slot type adapter ass'y (suffix X).

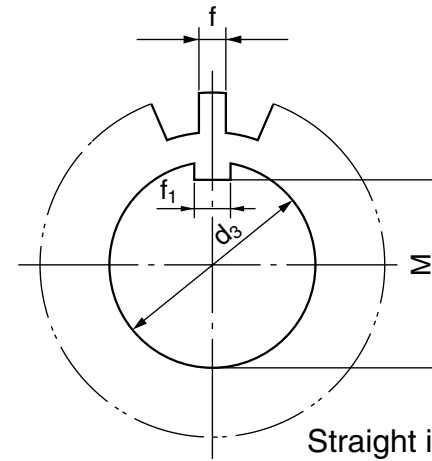
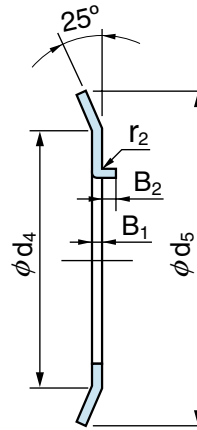
For the wide slot type adapter ass'y, either of lockwashers with bended inner tab or straight inner tab can be used.

Lockwashers

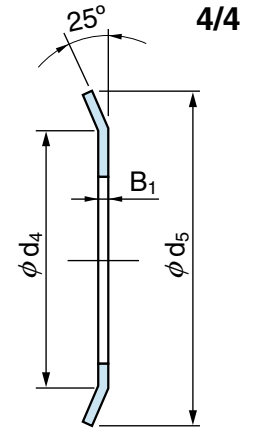
Series AW/AWL



Bended inner tab type



Straight inner tab type



No.		Dimensions (mm)										No. of Teeth	Mass of (kg/100pcs) (reference)	Locknut No.
Bended inner tab	Straight inner tab	d ₃	d ₄	d ₅	f ₁	M	B ₁	Bended inner tab		f				
								B ₂	r ₂					
AWL 24	AWL 24X	120	133	155	14	115	2	6	1.5	12	19	7.70	ANL 24	
AWL 26	AWL 26X	130	143	165	14	125	2	6	1.5	12	19	8.70	ANL 26	
AWL 28	AWL 28X	140	151	175	16	135	2	8	1.5	14	19	10.9	ANL 28	
AWL 30	AWL 30X	150	164	190	16	145	2	8	1.5	14	19	11.3	ANL 30	
AWL 32	AWL 32X	160	174	200	18	154	2.5	8	1.5	16	19	16.2	ANL 32	
AWL 34	AWL 34X	170	184	210	18	164	2.5	8	1.5	16	19	19.0	ANL 34	
AWL 36	AWL 36X	180	192	220	20	174	2.5	8	1.5	18	19	18.0	ANL 36	
AWL 38	AWL 38X	190	202	230	20	184	2.5	8	1.5	18	19	20.5	ANL 38	
AWL 40	AWL 40X	200	218	250	20	194	2.5	8	1.5	18	19	21.4	ANL 40	

Note The straight inner tab type is used for the narrow slot type adapter ass'y (suffix X).

For the wide slot type adapter ass'y, either of lockwashers with bended inner tab or straight inner tab can be used.