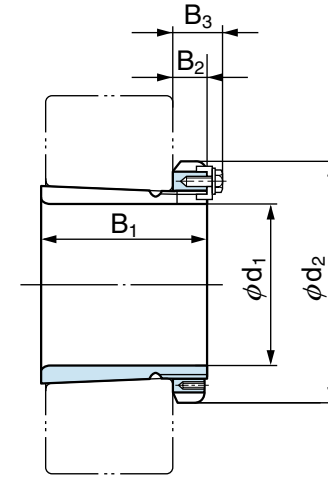


Adapter Assemblies

Series H32



Bearing bore No.	Dimensions (mm)					Mass (kg) (reference)	Adapter Ass'y No.	Part No.		
	d ₁	d ₂	B ₁	B ₂	B ₃			Adapter sleeve	Locknut	Lock- washer
60	280	380	240	40	53	34.0	H3260	A3260	AN 60	AL 60
64	300	400	258	42	56	39.4	H3264	A3264	AN 64	AL 64
68	320	440	288	55	72	54.6	H3268	A3268	AN 68	AL 68
72	340	460	299	58	75	60.2	H3272	A3272	AN 72	AL 68
76	360	490	310	60	77	69.6	H3276	A3276	AN 76	AL 76
80	380	520	328	62	82	80.9	H3280	A3280	AN 80	AL 80
84	400	540	352	70	90	94.6	H3284	A3284	AN 84	AL 80
88	410	560	361	70	90	118	H3288	A3288	AN 88	AL 88
92	430	580	382	75	95	133	H3292	A3292	AN 92	AL 88
96	450	620	397	75	95	153	H3296	A3296	AN 96	AL 96
/500	470	630	428	80	100	166	H32/500	A32/500	AN100	AL100