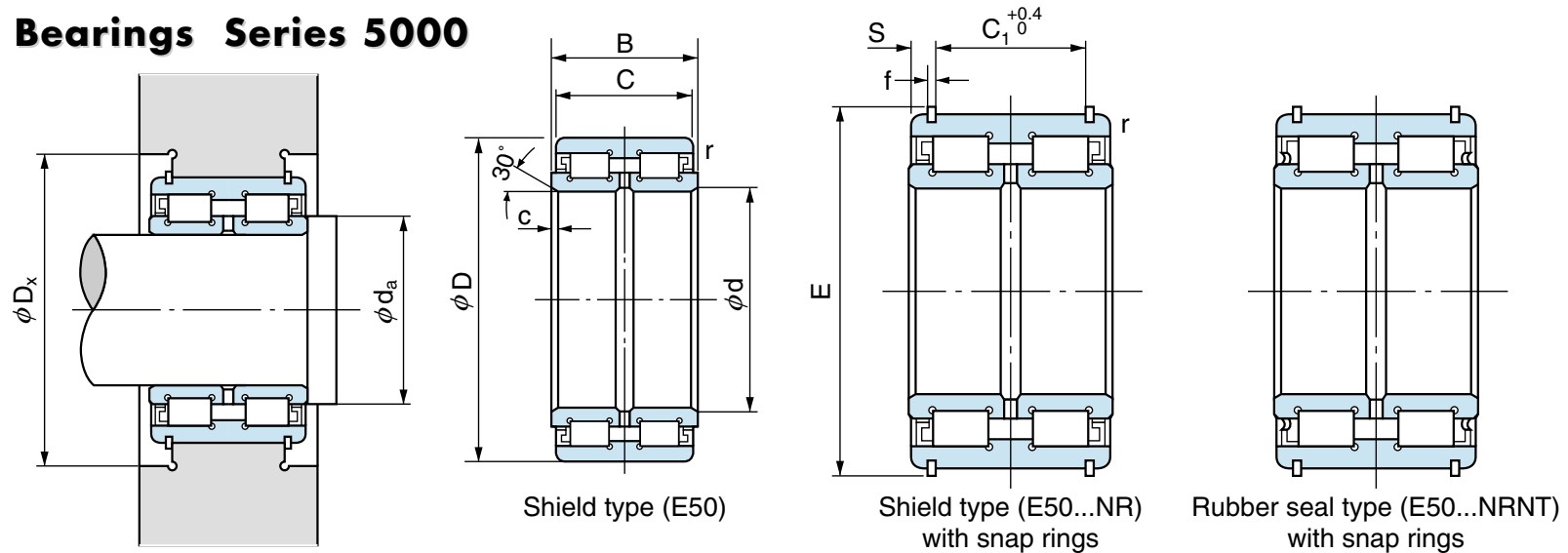


Sheave Bearings Series 5000

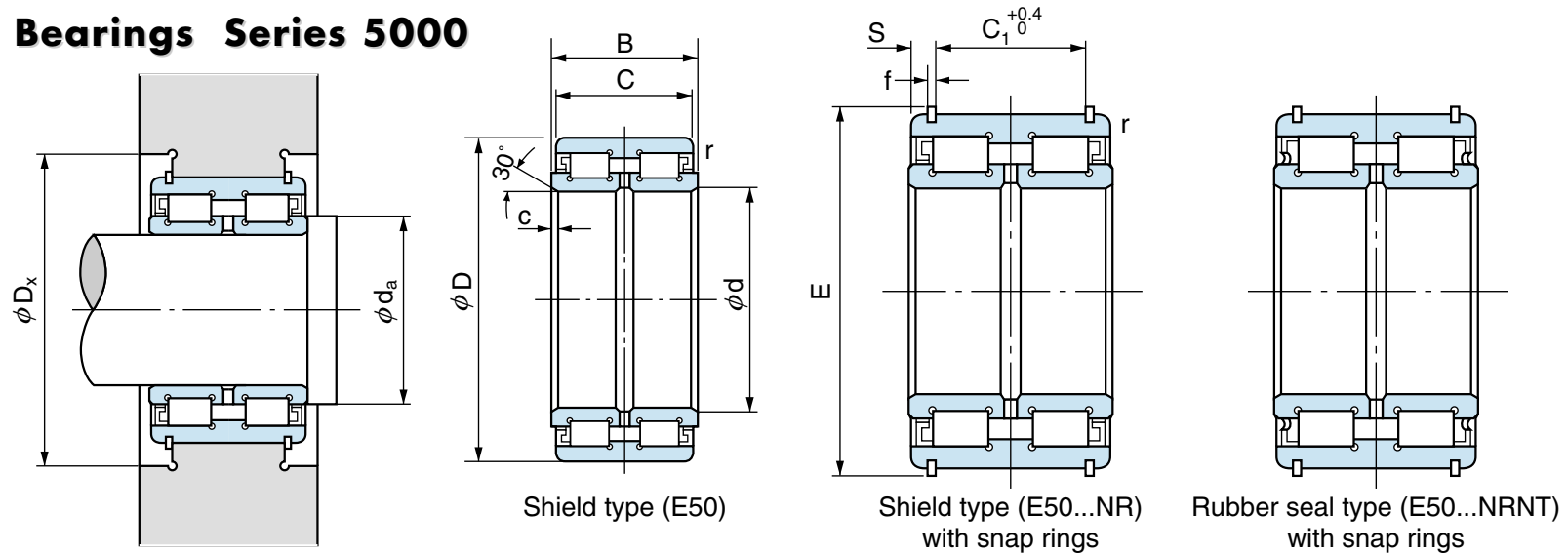


Bearing No.			Boundary dimensions (mm)									
Without snap ring with shields	With snap rings with shields	With snap rings and rubber seals	d	D	B	C	r (min)	c	E	C ₁	S	f
E5008	E5008NR	E5008NRNT	40	68	38	37	0.6	1.5	71.8	28	4.5	2
E5009	E5009NR	E5009NRNT	45	75	40	39	0.6	1.5	78.8	30	4.5	2
E5010	E5010NR	E5010NRNT	50	80	40	39	0.6	1.5	83.8	30	4.5	2
E5011	E5011NR	E5011NRNT	55	90	46	45	0.6	2	94.8	34	5.5	2.5
E5012	E5012NR	E5012NRNT	60	95	46	45	0.6	2	99.8	34	5.5	2.5
E5013	E5013NR	E5013NRNT	65	100	46	45	0.6	2	104.8	34	5.5	2.5
E5014	E5014NR	E5014NRNT	70	110	54	53	0.6	2	117.4	42.18	5.41	2.41
E5015	E5015NR	E5015NRNT	75	115	54	53	0.6	2	127.1	42	5.5	2.5
E5016	E5016NR	E5016NRNT	80	125	60	59	0.6	2	137.1	48	5.5	2.5
E5017	E5017NR	E5017NRNT	85	130	60	59	0.6	2	142.1	48	5.5	2.5
E5018	E5018NR	E5018NRNT	90	140	67	66	0.6	2.5	151.8	54	6	2.5
E5019	E5019NR	E5019NRNT	95	145	67	66	0.6	2.5	156.8	54	6	2.5

Remark: The bearings must be mounted without a clearance between two separate inner rings.



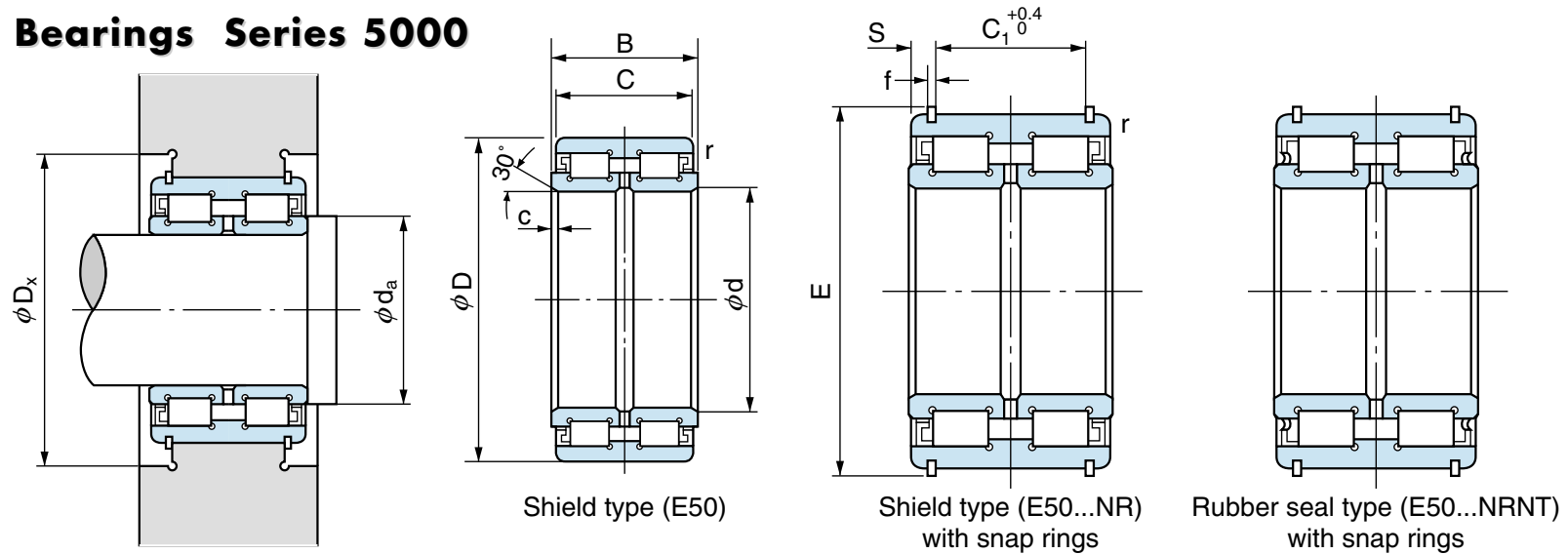
Sheave Bearings Series 5000



Bearing No.			Boundary dimensions (mm)									
Without snap ring with shields	With snap rings with shields	With snap rings and rubber seals	d	D	B	C	r (min)	c	E	C ₁	S	f
E5020	E5020NR	E5020NRNT	100	150	67	66	0.6	2.5	161.8	54	6	2.5
E5022	E5022NR	E5022NRNT	110	170	80	79	1	3	181.8	65	7	2.5
E5024	E5024NR	E5024NRNT	120	180	80	79	1	3	195.6	64.9	7.05	3.05
E5026	E5026NR	E5026NRNT	130	200	95	94	1	3	215.6	76.9	8.55	3.05
E5028	E5028NR	E5028NRNT	140	210	95	94	1	3	223.6	77	8.5	3
E5030	E5030NR	E5030NRNT	150	225	100	99	1	3.5	238.6	81	9	3
E5032	E5032NR	E5032NRNT	160	240	109	108	1.5	3.5	253.6	89	9.5	3
E5034	E5034NR	E5034NRNT	170	260	122	121	1.5	3.5	277.2	99	11	4
E5036	E5036NR	E5036NRNT	180	280	136	135	1.5	3.5	294	110	12.5	5
E5038	E5038NR	E5038NRNT	190	290	136	135	1.5	3.5	306	110	12.5	5
E5040	E5040NR	E5040NRNT	200	310	150	149	1.5	3.5	326	120	14.5	5
E5044	E5044NR	E5044NRNT	220	340	160	159	1.5	4	356	130	14.5	6

Remark: The bearings must be mounted without a clearance between two separate inner rings.

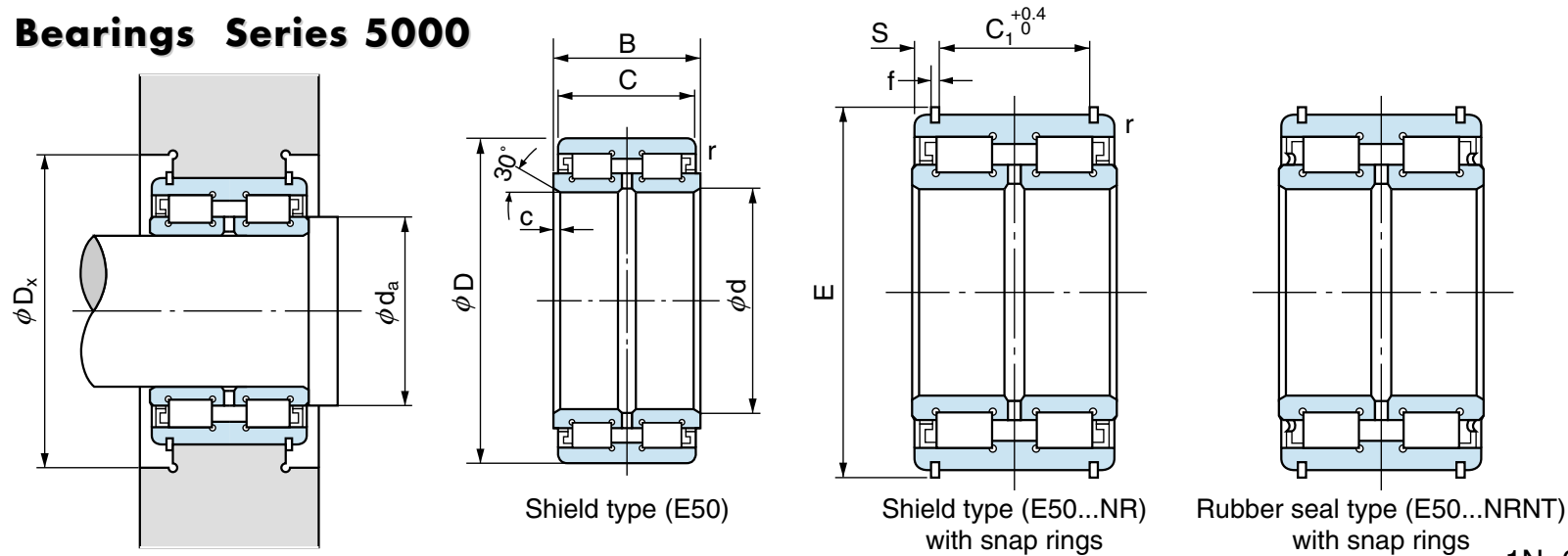
Sheave Bearings Series 5000



Bearing No.			Boundary dimensions (mm)									
Without snap ring with shields	With snap rings with shields	With snap rings and rubber seals	d	D	B	C	r (min)	c	E	C ₁	S	f
E5048	E5048NR	E5048NRNT	240	360	160	159	1.5	4	376	130	14.5	6
E5052	E5052NR	E5052NRNT	260	400	190	189	2	5	416	154	17.5	7
E5056	E5056NR	E5056NRNT	280	420	190	189	2	5	440	154	17.5	7
E5060	—	—	300	460	218	216	2	5	480	176	20	8
E5064	—	—	320	480	218	216	2	5	500	176	20	8
E5068	—	—	340	520	243	241	2.5	6	544	194	23.5	8
E5072	—	—	360	540	243	241	2.5	6	564	194	23.5	10
E5076	—	—	380	560	243	241	2.5	6	584	194	23.5	10
E5080	—	—	400	600	272	270	2.5	6	630	210	30	12
E5084	—	—	420	620	272	270	2.5	6	650	210	30	12
E5088	—	—	440	650	280	278	3	8	680	210	34	12
E5092	—	—	460	680	300	298	3	8	710	230	34	12
E5096	—	—	480	700	300	298	3	8	730	230	34	12

Remark: The bearings must be mounted without a clearance between two separate inner rings.

Sheave Bearings Series 5000

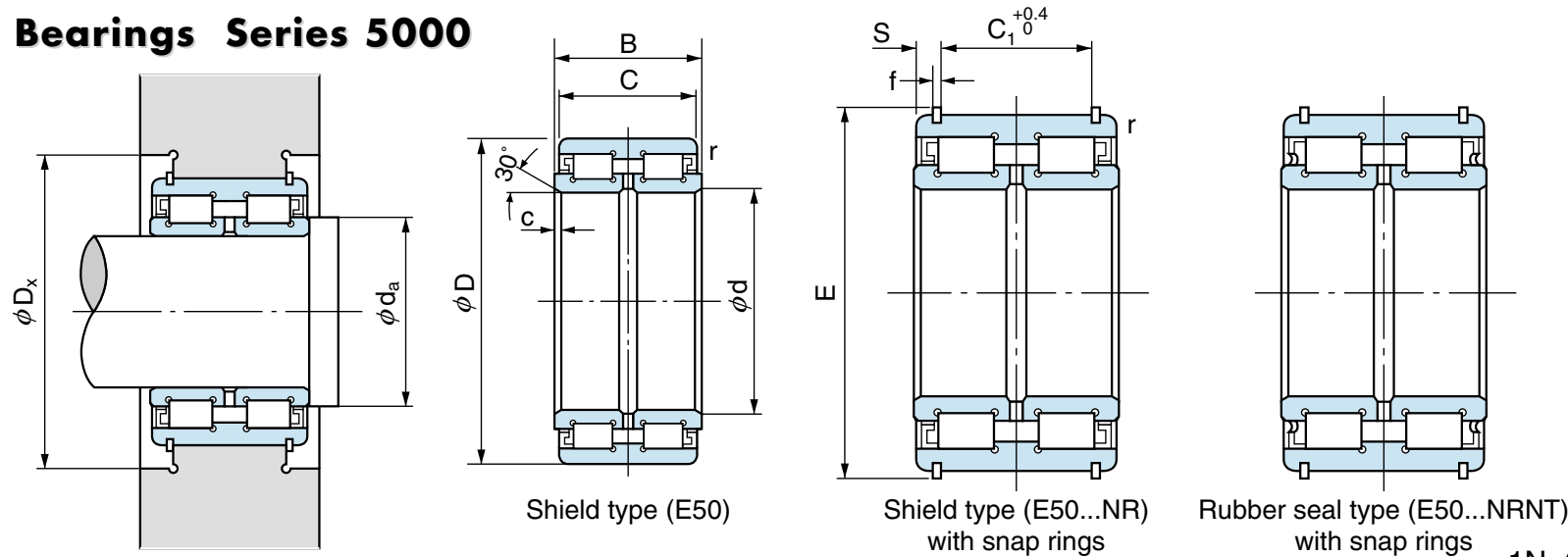


1N=0.102kgf

Bearing No.			Basic load rating		Limiting speed (rpm) Grease lubrication	Abutment and fillet dimensions (mm)		Mass (kg)
Without snap ring with shields	With snap rings with shields	With snap rings and rubber seals	Cr (N)	Cor (N)		d_a (min)	D_x (min)	
E5008	E5008NR	E5008NRNT	79000	125000	2500	46	80	0.55
E5009	E5009NR	E5009NRNT	95000	144000	2200	51	87	0.70
E5010	E5010NR	E5010NRNT	99500	158000	2000	56	92	0.75
E5011	E5011NR	E5011NRNT	117000	193000	1800	63	104	1.15
E5012	E5012NR	E5012NRNT	123000	208000	1650	68	109	1.20
E5013	E5013NR	E5013NRNT	128000	224000	1500	73	114	1.30
E5014	E5014NR	E5014NRNT	170000	285000	1400	78	127	1.90
E5015	E5015NR	E5015NRNT	177000	305000	1350	83	136	2.00
E5016	E5016NR	E5016NRNT	250000	430000	1250	88	146	2.65
E5017	E5017NR	E5017NRNT	255000	445000	1150	93	155	2.80
E5018	E5018NR	E5018NRNT	305000	540000	1100	100	165	3.70
E5019	E5019NR	E5019NRNT	310000	560000	1050	105	175	3.90

Remark: The bearings must be mounted without a clearance between two separate inner rings.

Sheave Bearings Series 5000



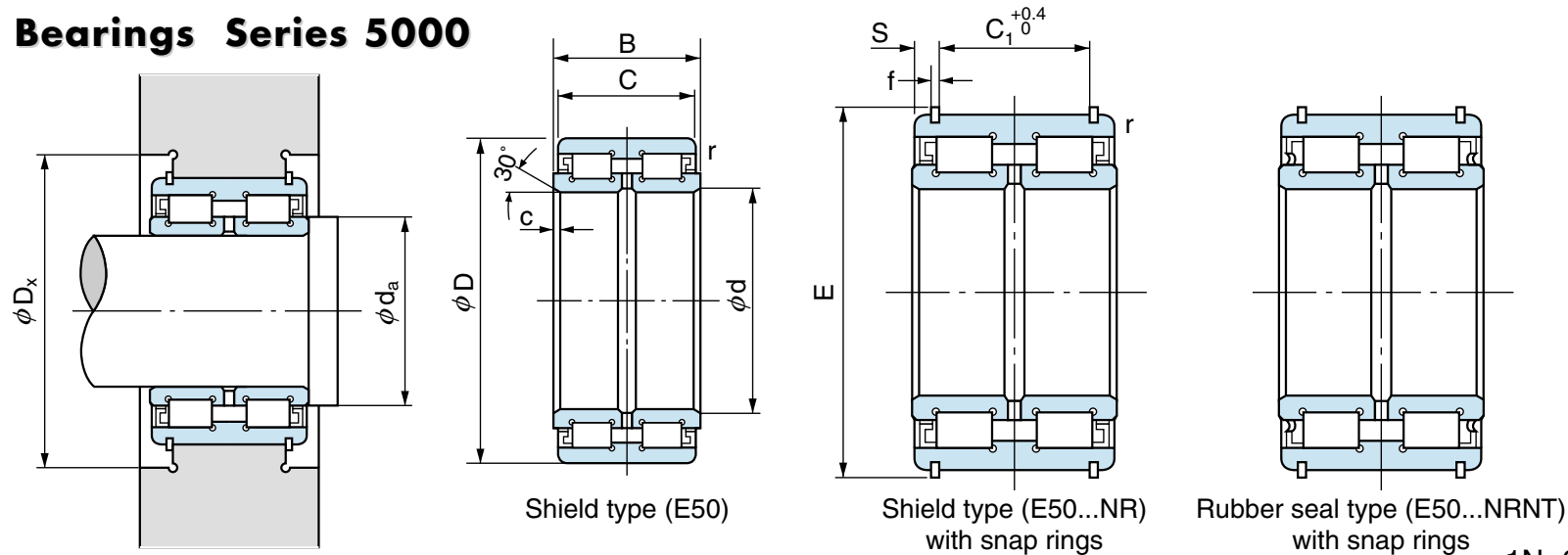
1N=0.102kgf

Bearing No.			Basic load rating		Limiting speed (rpm) Grease lubrication	Abutment and fillet dimensions (mm)		Mass (kg)
Without snap ring with shields	With snap rings with shields	With snap rings and rubber seals	Cr (N)	Cor (N)		d_a (min)	D_x (min)	
E5020	E5020NR	E5020NRNT	315000	585000	1000	110	180	4.05
E5022	E5022NR	E5022NRNT	380000	695000	900	122	200	6.50
E5024	E5024NR	E5024NRNT	400000	750000	850	132	210	6.95
E5026	E5026NR	E5026NRNT	535000	1000000	750	142	230	10.5
E5028	E5028NR	E5028NRNT	540000	1070000	700	152	245	11.0
E5030	E5030NR	E5030NRNT	620000	1210000	650	164	260	13.5
E5032	E5032NR	E5032NRNT	715000	1390000	600	174	275	16.5
E5034	E5034NR	E5034NRNT	850000	1730000	600	184	300	22.5
E5036	E5036NR	E5036NRNT	1060000	2140000	550	194	311	30.0
E5038	E5038NR	E5038NRNT	1110000	2230000	500	204	323	31.5
E5040	E5040NR	E5040NRNT	1300000	2650000	500	214	343	40.5
E5044	E5044NR	E5044NRNT	1500000	3100000	450	236	378	52.0

Remark: The bearings must be mounted without a clearance between two separate inner rings.



Sheave Bearings Series 5000

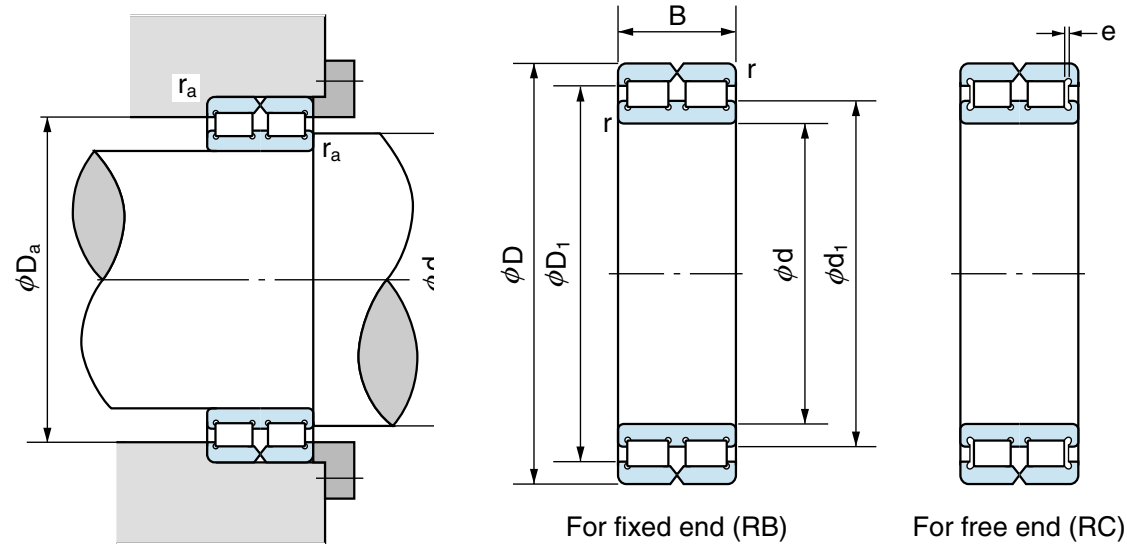


1N=0.102kgf

Bearing No.			Basic load rating		Limiting speed (rpm)	Abutment and fillet dimensions (mm)		Mass (kg)
Without snap ring with shields	With snap rings with shields	With snap rings and rubber seals	Cr (N)	Cor (N)		d _a (min)	D _x (min)	
E5048	E5048NR	E5048NRNT	1560000	3350000	400	256	398	55.5
E5052	E5052NR	E5052NRNT	2110000	4500000	350	280	438	85.0
E5056	E5056NR	E5056NRNT	2200000	4850000	350	300	462	90.9
E5060	—	—	2650000	5850000	350	320	508	130
E5064	—	—	2680000	6150000	300	340	528	135
E5068	—	—	3350000	7550000	300	362	577	180
E5072	—	—	3400000	7950000	250	382	597	190
E5076	—	—	3550000	8300000	250	402	617	200
E5080	—	—	4220000	1010000	250	422	666	265
E5084	—	—	4350000	1050000	230	442	686	275
E5088	—	—	4550000	1090000	220	464	719	310
E5092	—	—	5050000	1210000	200	484	749	365
E5096	—	—	5150000	1250000	200	504	769	380

Remark: The bearings must be mounted without a clearance between two separate inner rings.

Sheave Bearings Series 4800/4900



1N=0.102kgf

Bearing No.		Boundary dimensions (mm)							Basic load rating	
For fixed end	For free end	d	D	B	d ₁	D ₁	r (min)	e ⁽¹⁾	Cr (N)	Cor (N)
RB4910	RC4910	50	72	22	58	63.5	0.6	1	49000	83000
RB4912	RC4912	60	85	25	69.5	76	1	1	68000	118000
RB4914	RC4914	70	100	30	81.5	88.5	1	1	105000	193000
RB4916	RC4916	80	110	30	92.5	99.5	1	1	113000	221000
RB4918	RC4918	90	125	35	103	111.5	1.1	1	150000	300000
RB4920	RC4920	100	140	40	116	125.5	1.1	1.5	194000	400000
RB4922	RC4922	110	150	40	124.5	134	1.1	1.5	202000	430000
RB4924	RC4924	120	165	45	138.5	148.5	1.1	2	226000	560000
RB4926	RC4926	130	180	50	148.5	160.5	1.5	2	262000	555000

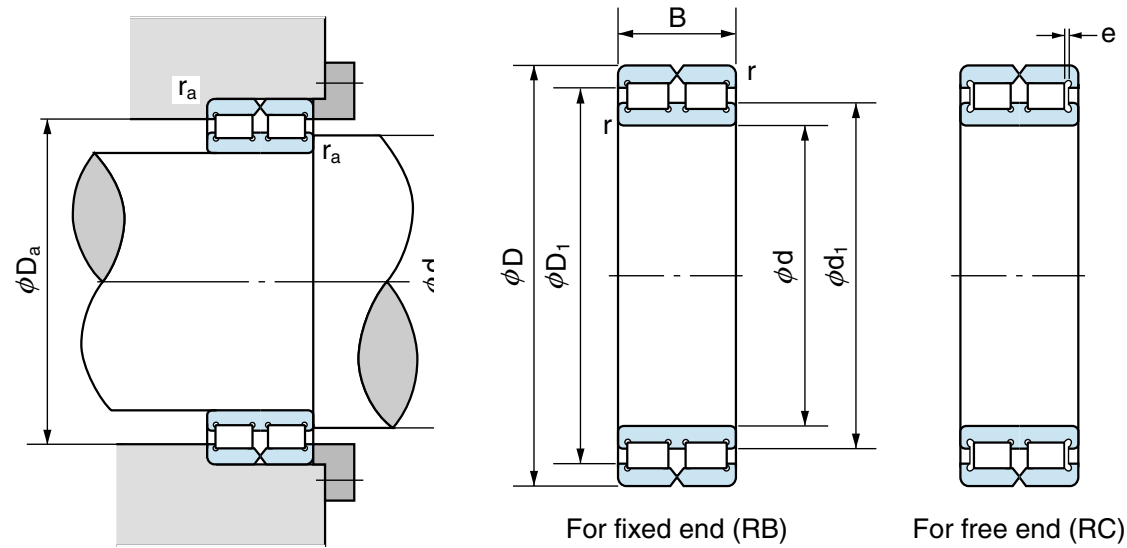
Note (1): Axial permissible movement for free end bearing.

Remark: The bearings must be mounted without a clearance between two separate inner rings.



Sheave Bearings

Series 4800/4900



1N=0.102kgf

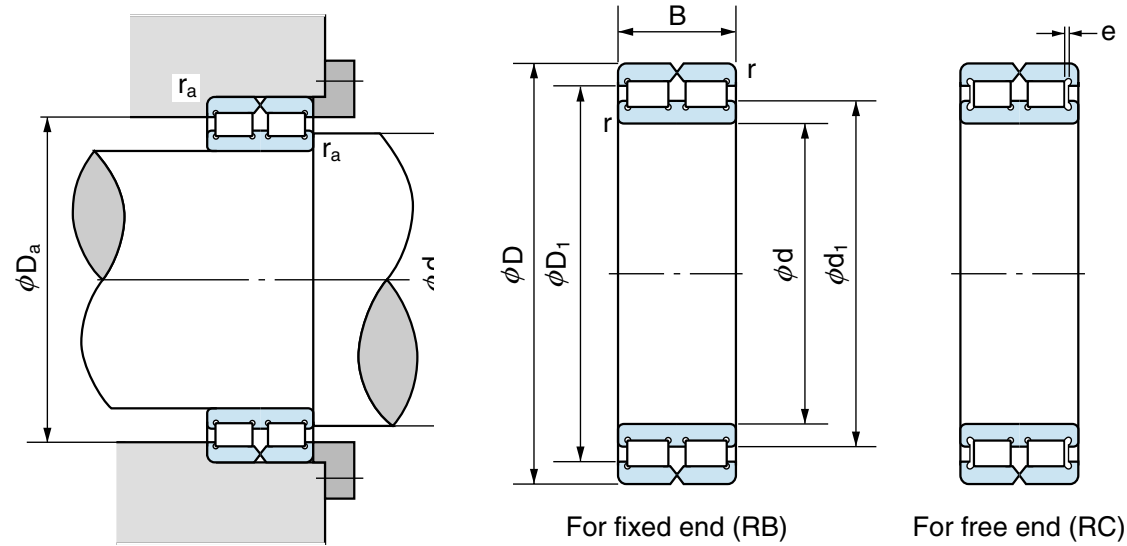
Bearing No.		Boundary dimensions (mm)							Basic load rating	
For fixed end	For free end	d	D	B	d ₁	D ₁	r (min)	e ⁽¹⁾	Cr (N)	Cor (N)
RB4928	RC4928	140	190	50	159	171	1.5	2	271000	595000
RB4830	RC4830	150	190	40	164.5	173.5	1.1	1.5	233000	575000
RB4930	RC4930		210	60	171.5	186	2	2	405000	860000
RB4832	RC4832	160	200	40	176	185.5	1.1	1.5	242000	615000
RB4932	RC4932		220	60	184.5	199.5	2	2	425000	935000
RB4834	RC4834	170	215	45	186	196.5	1.1	2	264000	650000
RB4934	RC4934		230	60	193.5	208.5	2	2	435000	980000
RB4836	RC4836	180	225	46	199	209.5	1.1	2	273000	695000
RB4936	RC4936		250	69	205.5	223	2	2.5	550000	1230000

Note (1): Axial permissible movement for free end bearing.

Remark: The bearings must be mounted without a clearance between two separate inner rings.

Sheave Bearings

Series 4800/4900



1N=0.102kgf

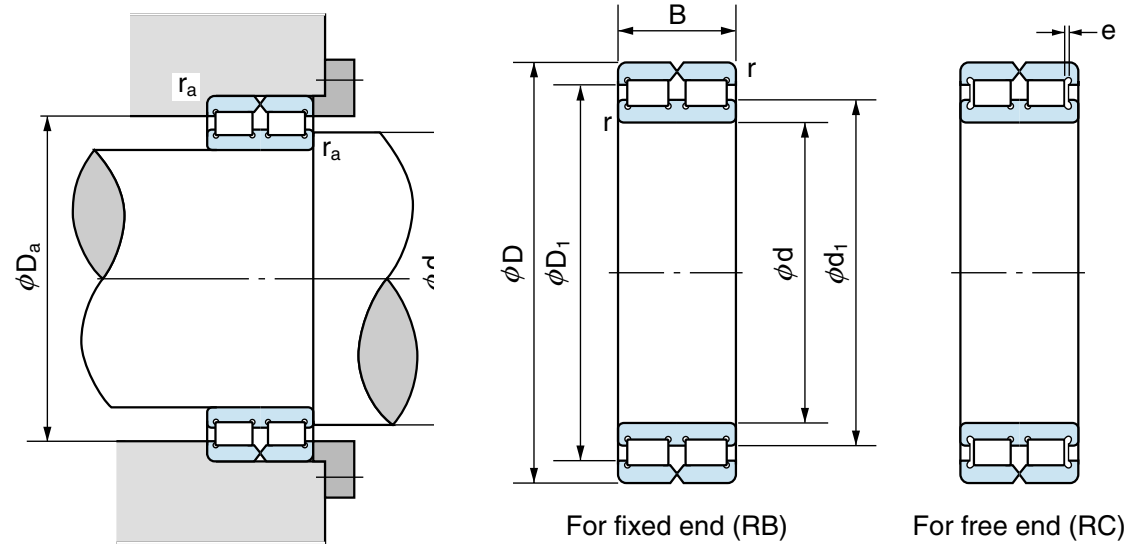
Bearing No.		Boundary dimensions (mm)							Basic load rating	
For fixed end	For free end	d	D	B	d ₁	D ₁	r (min)	e ⁽¹⁾	Cr (N)	Cor (N)
RB4838	RC4838	190	240	50	208	220	1.5	2	315000	785000
RB4938	RC4938		260	69	216	233	2	2.5	565000	1290000
RB4840	RC4840	200	250	50	218.5	230.5	1.5	2	320000	825000
RB4940	RC4940		280	80	231.5	251	2.1	3	665000	1500000
RB4844	RC4844	220	270	50	239.5	251.5	1.5	2	335000	905000
RB4944	RC4944		300	80	249	268	2.1	3	695000	1620000
RB4848	RC4848	240	300	60	260.5	275	2	2	510000	1330000
RB4948	RC4948		320	80	271.5	291	2.1	3	725000	1770000

Note (1): Axial permissible movement for free end bearing.

Remark: The bearings must be mounted without a clearance between two separate inner rings.

Sheave Bearings

Series 4800/4900



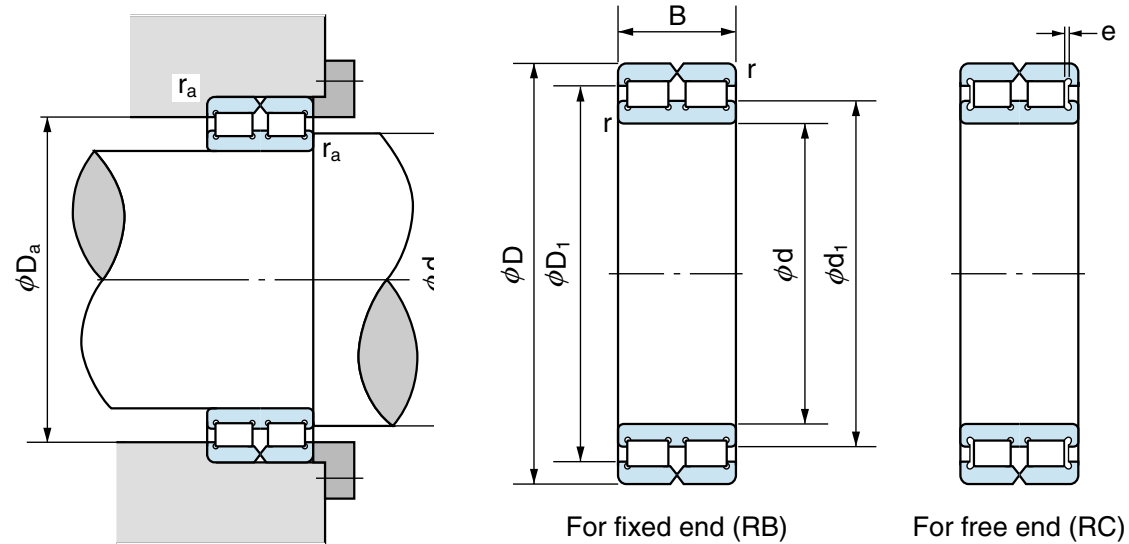
1N=0.102kgf

Bearing No.		Boundary dimensions (mm)							Basic load rating	
For fixed end	For free end	d	D	B	d ₁	D ₁	r (min)	e ⁽¹⁾	Cr (N)	Cor (N)
RB4852	RC4852	260	320	60	283	297.5	2	2	530000	1450000
RB4952	RC4952		360	100	296	321	2.1	3	1070000	2570000
RB4856	RC4856	280	350	69	307.5	325	2	2.5	680000	1860000
RB4956	RC4956		380	100	318	342.5	2.1	3	1110000	2780000
RB4860	RC4860	300	380	80	329	348	2.1	3	800000	2160000
RB4864	RC4864		400	80	352	371	2.1	3	830000	2310000
RB4868	RC4868	340	420	80	368	389	2.1	3	850000	2430000
RB4872	RC4872		440	80	392	411.5	2.1	3	880000	2580000
RB4876	RC4876	380	480	100	419	446	2.1	3	1290000	3600000

Note (1): Axial permissible movement for free end bearing.

Sheave Bearings

Series 4800/4900



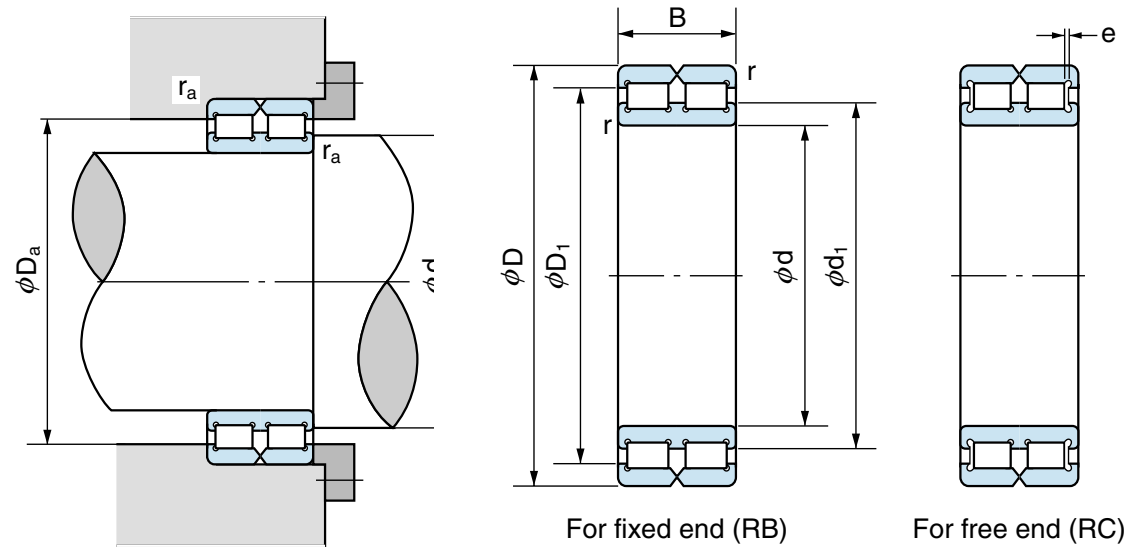
Bearing No.		Limiting speed (rpm)		Abutment and fillet dimensions (mm)			Mass (kg)	Basic No.
For fixed end	For free end	Grease lubrication	Oil lubrication	d_a (min)	D_a (max)	r_a (max)		
RB4910	RC4910	2000	4000	56	66	0.6	0.30	4910
RB4912	RC4912	1700	3400	67	78	1	0.46	4912
RB4914	RC4914	1400	2800	77	93	1	0.78	4914
RB4916	RC4916	1250	2500	87	103	1	0.88	4916
RB4918	RC4918	1100	2200	98	117	1	1.35	4918
RB4920	RC4920	1000	2000	108	132	1	1.95	4920
RB4922	RC4922	900	1800	118	142	1	2.15	4922
RB4924	RC4924	850	1700	128	157	1	2.95	4924
RB4926	RC4926	750	1500	140	170	1.5	3.95	4926

Note (1): Axial permissible movement for free end bearing.

Remark: The bearings must be mounted without a clearance between two separate inner rings.

Sheave Bearings

Series 4800/4900

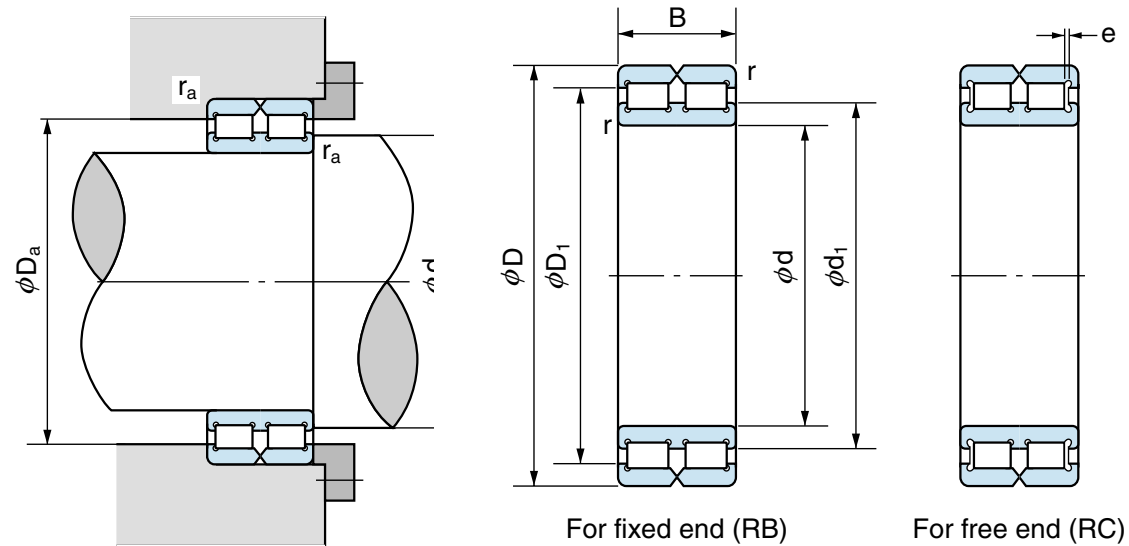


Bearing No.		Limiting speed (rpm)		Abutment and fillet dimensions (mm)			Mass (kg)	Basic No.
For fixed end	For free end	Grease lubrication	Oil lubrication	d_a (min)	D_a (max)	r_a (max)		
RB4928	RC4928	700	1400	150	180	1.5	4.20	4928
RB4830	RC4830	650	1300	158	182	1	2.90	4830
RB4930	RC4930	650	1300	161	199	2	6.65	4930
RB4832	RC4832	650	1300	168	192	1	3.05	4832
RB4932	RC4932	600	1200	171	209	2	7.00	4932
RB4834	RC4834	600	1200	178	207	1	4.10	4834
RB4934	RC4934	600	1200	181	219	2	7.35	4934
RB4836	RC4836	550	1100	188	217	1	4.30	4836
RB4936	RC4936	550	1100	191	239	2	10.7	4936

Note (1): Axial permissible movement for free end bearing.

Remark: The bearings must be mounted without a clearance between two separate inner rings.

Sheave Bearings Series 4800/4900



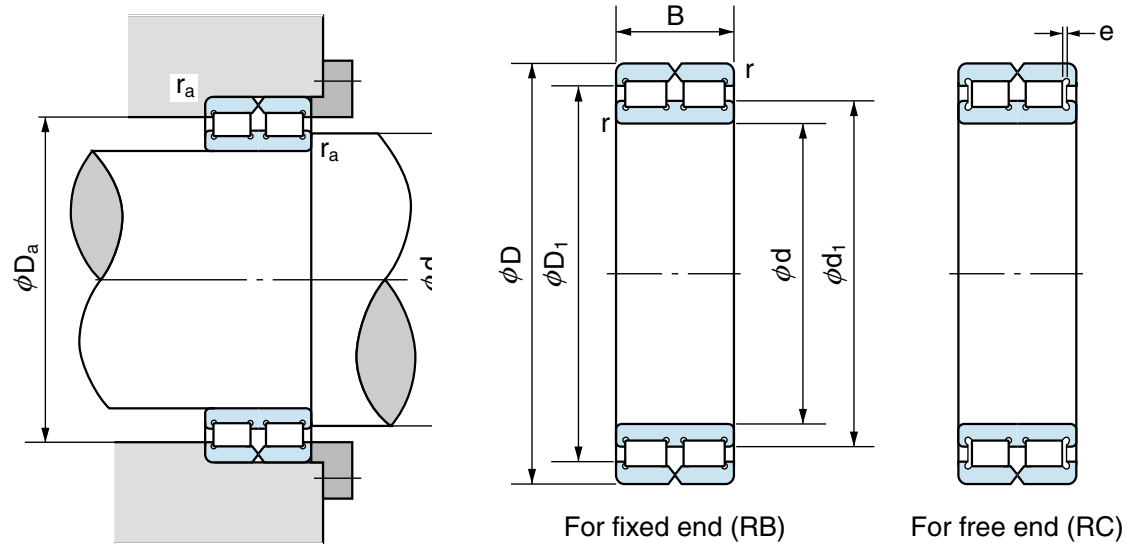
Bearing No.		Limiting speed (rpm)		Abutment and fillet dimensions (mm)			Mass (kg)	Basic No.
For fixed end	For free end	Grease lubrication	Oil lubrication	d_a (min)	D_a (max)	r_a (max)		
RB4838	RC4838	550	1100	200	230	1.5	5.65	4838
RB4938	RC4938	500	1000	201	249	2	11.2	4938
RB4840	RC4840	500	1000	210	240	1.5	5.90	4840
RB4940	RC4940	500	1000	211	269	2	15.7	4940
RB4844	RC4844	450	900	230	260	1.5	6.40	4844
RB4944	RC4944	450	900	231	289	2	17.1	4944
RB4848	RC4848	400	800	251	289	2	10.2	4848
RB4948	RC4948	400	800	253	307	2	18.4	4948

Note (1): Axial permissible movement for free end bearing.

Remark: The bearings must be mounted without a clearance between two separate inner rings.

Sheave Bearings

Series 4800/4900



Bearing No.		Limiting speed (rpm)		Abutment and fillet dimensions (mm)			Mass (kg)	Basic No.
For fixed end	For free end	Grease lubrication	Oil lubrication	d_a (min)	D_a (max)	r_a (max)		
RB4852	RC4852	400	800	271	309	2	11.0	4852
RB4952	RC4952	350	700	273	347	2	32.0	4952
RB4856	RC4856	350	700	291	339	2	16.0	4856
RB4956	RC4956	350	700	293	367	2	33.9	4956
RB4860	RC4860	350	700	313	367	2	23.0	4860
RB4864	RC4864	300	600	333	387	2	24.3	4864
RB4868	RC4868	300	600	353	407	2	25.6	4868
RB4872	RC4872	250	500	373	427	2	27.0	4872
RB4876	RC4876	250	500	393	467	2	45.3	4876

Note (1): Axial permissible movement for free end bearing.

Remark: The bearings must be mounted without a clearance between two separate inner rings.